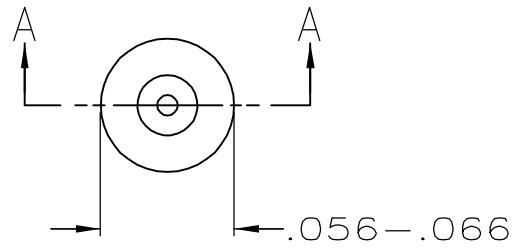
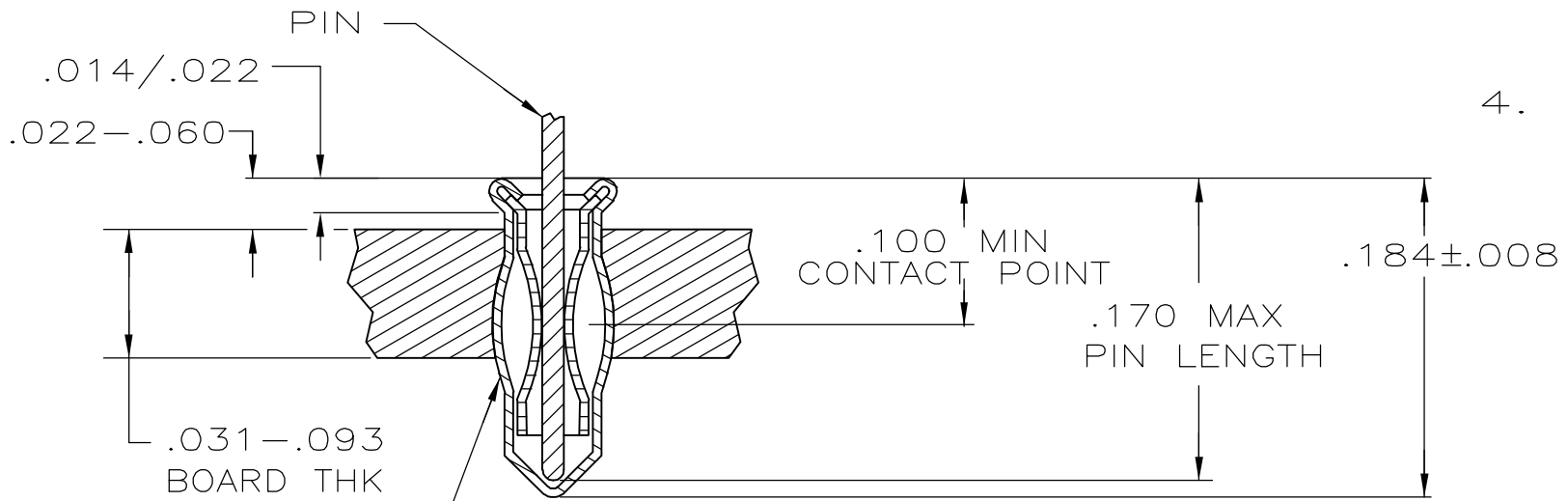


LOC	DIST	REVISIONS					
AG	53	P	LTR	DESCRIPTION	DATE	DWN	APVD
			F1	REVISED PER ECO-06-018765	13APR07	DH	DB



- MATERIAL:  
 EYELET - COPPER (QQ-C-576)  
 SPRING - BERYLLIUM COPPER (QQ-C-533)
- PLATING:  
 TIN (MIL-T-10727) .000150 MIN THK  
 GOLD (MIL-G-45204) .000030 MIN THK OVER NICKEL  
 (QQ-N-290) .000011 MIN THK ON CONTACT AREA.
- TO INSURE 1/2 OZ MIN RETENTION DO NOT EXCEED .004 DIFFERENCE IN PIN DIA WHEN CHANGING TO A SMALLER DIA PIN
- HOLE SIZE FOR HAND INSERTION 0.043-0.046



INSERTION MACHINE CAPABLE OF OVALIZING SOCKET FOR RETENTION IN PC BOARD WITH .042±.003 DIA HOLE PRIOR TO SOLDERING OPERATION.

SECTION A-A

OBSOLETE	.100/.170	.012/.021	GOLD	TIN	645946-2
			TIN		645946-1
	LENGTH	DIA	SPRING	EYELET	PART NO
	PIN		FINISH		
	NO. 1 SERIES LONG				

THIS DRAWING IS A CONTROLLED DOCUMENT.		DWN	M. BOWERS	12-10-82	<b>AMP</b> AMP Incorporated Harrisburg, PA 17105-3608												
DIMENSIONS: INCHES		CHK	P. MUTZABAUGH	6-10-85													
TOLERANCES UNLESS OTHERWISE SPECIFIED:		APVD	G.D. MILLER	6-10-85													
<table border="1"> <tr><td>0 PLC</td><td>±-</td></tr> <tr><td>1 PLC</td><td>±-</td></tr> <tr><td>2 PLC</td><td>±-</td></tr> <tr><td>3 PLC</td><td>±-</td></tr> <tr><td>4 PLC</td><td>±-</td></tr> <tr><td>ANGLES</td><td>±-</td></tr> </table>		0 PLC	±-	1 PLC	±-	2 PLC	±-	3 PLC	±-	4 PLC	±-	ANGLES	±-	PRODUCT SPEC		NAME	
0 PLC	±-																
1 PLC	±-																
2 PLC	±-																
3 PLC	±-																
4 PLC	±-																
ANGLES	±-																
MATERIAL -		FINISH -		MINIATURE SPRING SOCKET ASSEMBLY													
		WEIGHT	-		RESTRICTED TO												
		CUSTOMER DRAWING		SCALE	NTS												
		SIZE	A3	CAGE CODE	00779												
		DRAWING NO	C- 645946		SHEET												
				1	OF												
				1	REV												
				F1													